



LP-1000N

LABEL PRINTING SCALE



Applications:
Deli's • Produce • Supermarkets
Convenience Stores • Grocery Stores

**LP-1000NP
Pole Model**



CAS
S • C • A • L • E



LP-1000N LABEL PRINTING Scale

Features

The LP-1000N is the best scale on the market today in its class. A feature rich, easy-to-use label printing scale. With its ability to use the most popular label formats, the LP-1000N will be perfect for deli's, convenience stores, grocery stores, etc.

- 4,000 PLU's (Items)
- 1,000 Ingredient Messages
- 54 Preset Keys
- 30 Label Formats plus 6 Custom Labels
- Continuous Strip Label
- Pre-Pack Mode for Automatic Weighing/Labeling
- High Speed Printer
- Print Label with Backing Paper
- Net Weight Statement
- Spanish Printing
- Includes - LP Works software
- RS-232C 25 to 9 Pin Cable
- Legal for Trade - COC #92-169

Specifications

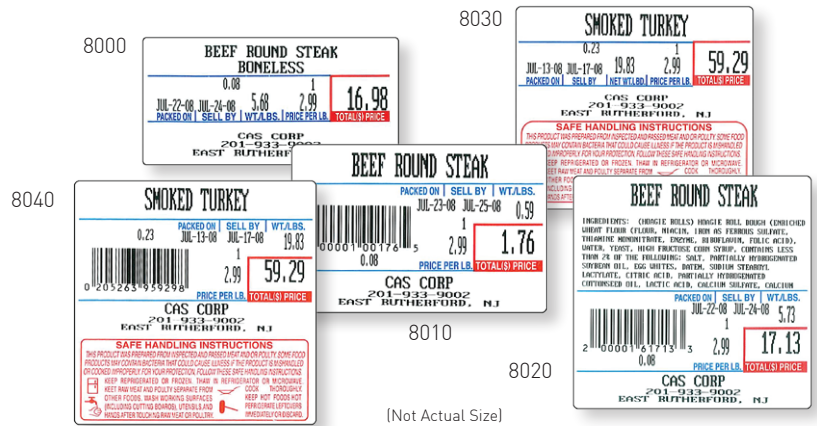
Weighing Capacity	30 x 0.01 lbs
Display Digits	5/6/7 (Weight/Unit Price/Total Price)
Display Type	VFD (Vacuum Fluorescent Display)
Measurement Type	Load Cell
Printing Type	Thermal Print
Preset Data	4,000 PLU, 1000 Ingredient Msgs (50 Char x 8 Lines)
Data Transfer	PC to Scale, Scale to PC, Scale to Scale
Label Size	58 x 30 mm ~ 58 x 100 mm
Power Source	AC 110/120/220/240V, 50/60 Hz
Interface	RS-232C
Power Consumption	Max. 100W
Operating Temperature	14°F ~ 104°F
Platter Size (inch)	15.75 (W) x 9.65 (D) / 400 (W) x 245 (D) NP: 15.75 (W) x 9.65 (D) / 400 (W) x 245 (D)
Dimensions (inch)	16.1 (W) x 16.9 (D) x 7.8 (H) NP: 16.1 (W) x 19.3 (D) x 23.6 (H)
Product Weight	28.66 lbs



CAS USA Corporation
Corporate Office
 99 Murray Hill Parkway
 East Rutherford, NJ 07073
 Tel: (201) 933-9002
 Fax: (201) 933-9025
<http://www.cas-usa.com>



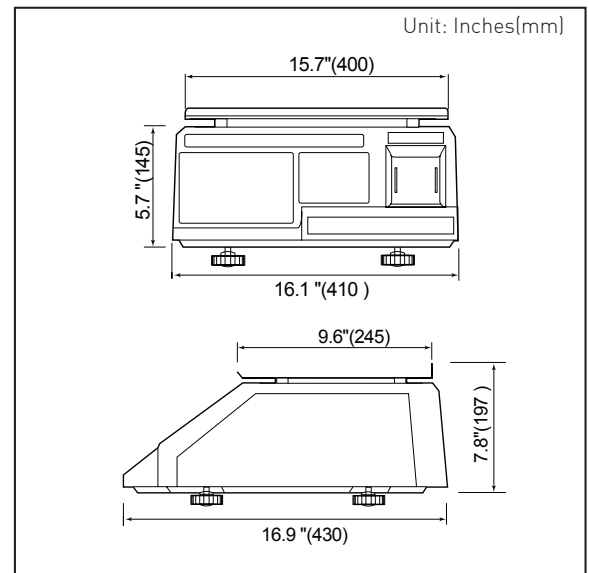
Label Examples



Options

- Fish Platter (Inches/mm)
17 (W) x 11.25 (D) / 428 (W) x 284 (D)
- Keypad Wet Cover
- RS-232C 25 to 25 Pin Cable (Scale to Scale)

Dimensions



Specifications are subject to change without prior notice 2009.03